

Submersible sump pumps suitable for draining garages, cellars and other places subjected to flooding and for garden ponds and small water displays. They can be applied for portable and fixed installations. Supplied with 5 m cable length type H05 RN-F and available with or without float switch. (10 m cable H05 RN-F on request)



SPECIFICATIONS

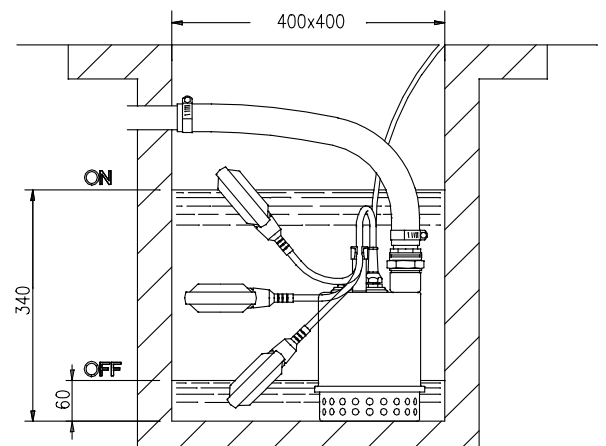
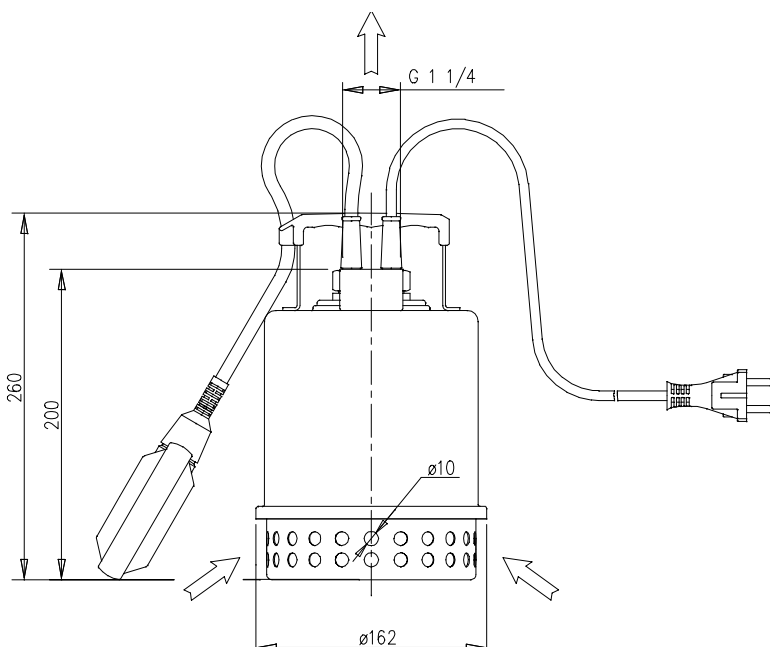
- Maximum liquid temperature:
35°C according EN 60335-2-41 for domestic uses
40°C for other uses
- Maximum immersion: 5 m
- Maximum passage of solids: 10 mm

TECHNICAL DATA

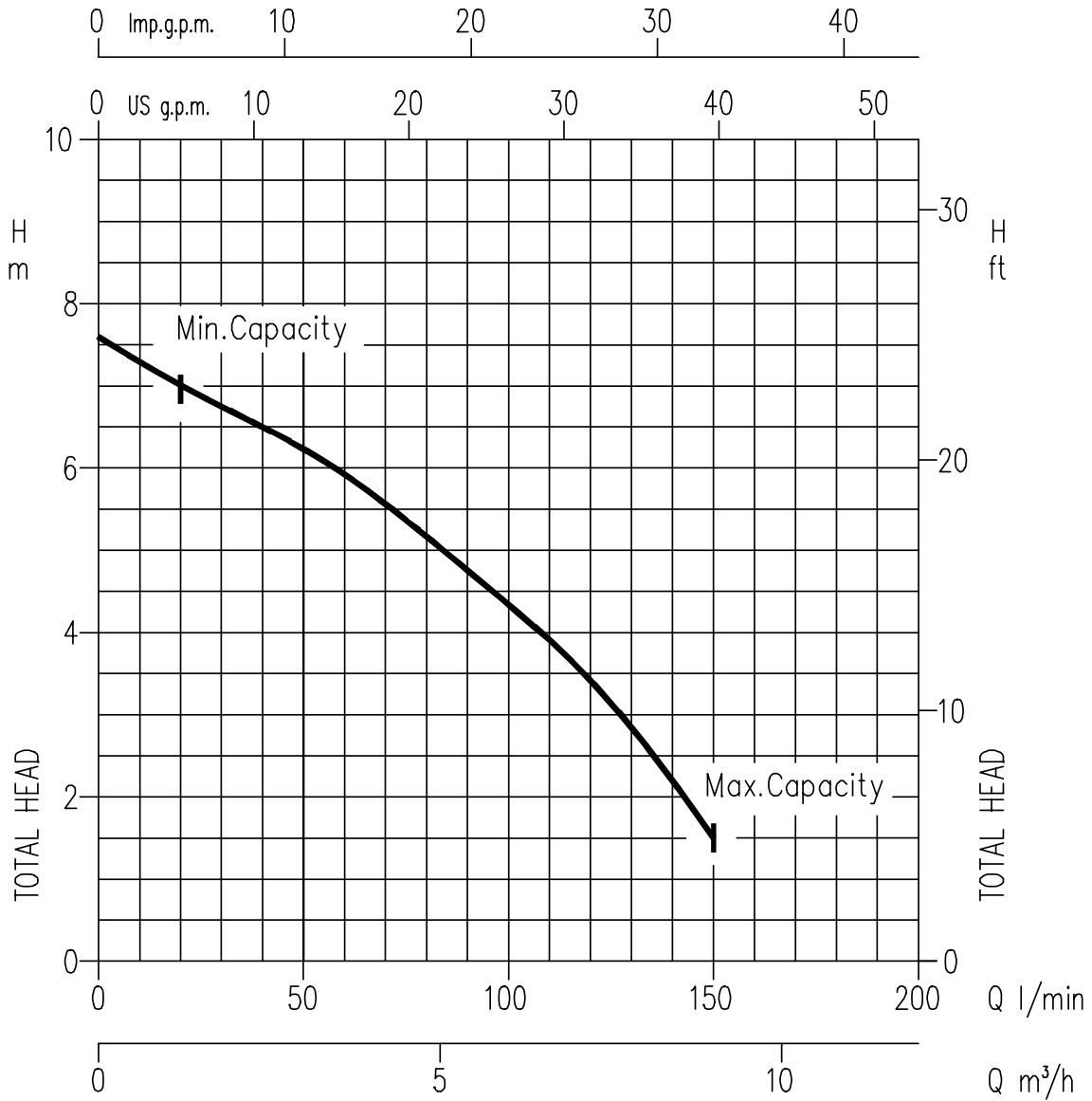
- Asynchronous 2 poles motor
- Insulation class F
- Protection degree IP68
- 1~230V \pm 10%, 50Hz
- DNM 1 1/4

MATERIALS

- Pump casing, strainer, cover and motor casing in AISI 304
- Impeller, diffuser and spacer in tecnopolymer
- Shaft in AISI 303
- Grease lubricated double lip seal



PERFORMANCE CURVE (according to ISO 9906 Annex A)



PERFORMANCE TABLE

Pump type		kW	Capacitor		Abs. Curr. (A)		l/min m³/h	Q=Capacity						Pump type	Weight
Single-phase 230 V	Three-phase 400 V		µF	V _c	Single-phase	Three-phase		20	50	75	100	125	150		kg
BEST ZERO M	BEST ZERO	0,25	8	450	1,9	0,95			1,2	3	4,5	6	7,5	9	BEST ZERO MA
								7	6,3	5,4	4,3	3,1	1,5	BEST ZERO M	4,2
														BEST ZERO	4,4

MA = only for single-phase with float switch

Submersible drainage sump pump made of stainless steel AISI 304, shaft sealing is with double lip seals that run on a ceramic-coated shaft. Suitable for draining wells, plant room sumps, and lift shafts, emptying, pools, sumps, small-scale irrigation and small water displays and pub cellars. Options include with - without float switch - VOX versions and 110 - 230 - 400V versions. (10 m cable H05 RN-F on request)



SPECIFICATIONS

- Maximum liquid temperature: 35°C according EN 60335-2-41 for domestic uses 40°C for other uses
- Maximum immersion: 5 m
- Maximum passage of solids: 10 mm 20 mm per VOX version

TECHNICAL DATA

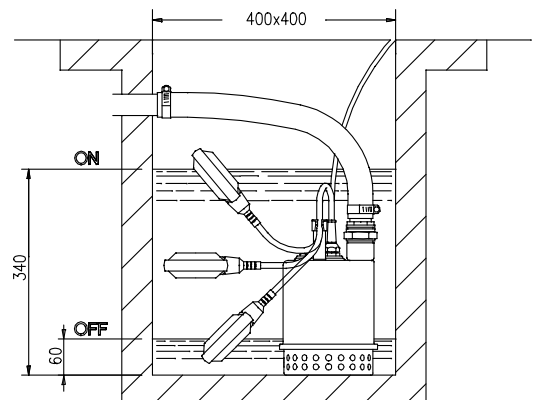
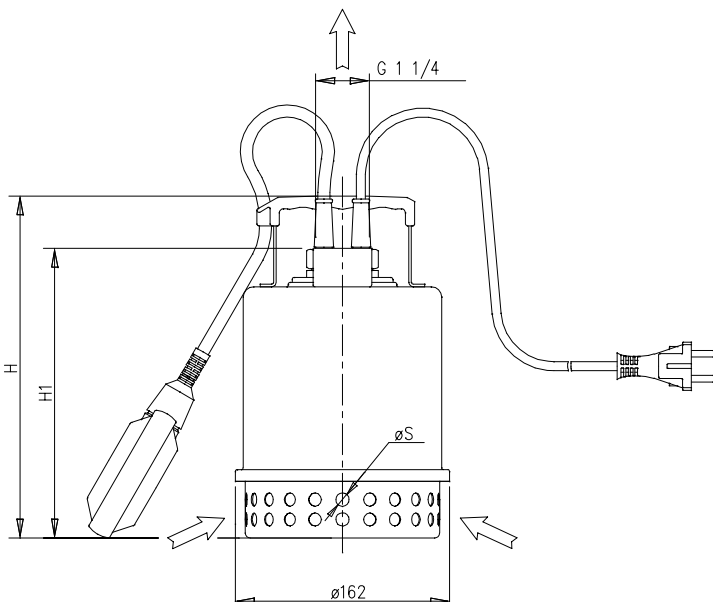
- Asynchronous 2 poles motor
- Insulation class F
- Protection degree IP68
- 1~230V ± 10%, 50Hz
- DNM 1" 1/4

MATERIALS

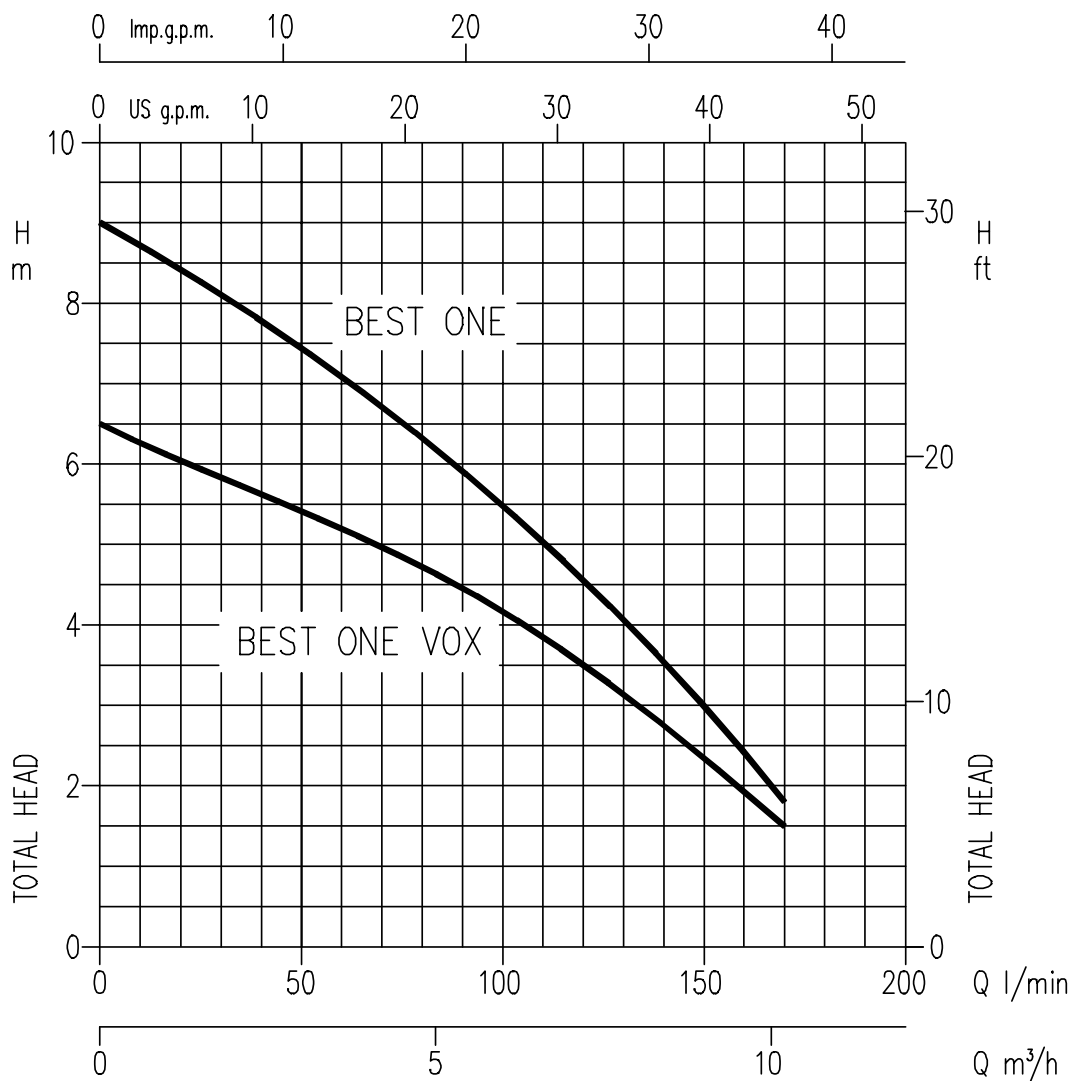
- Pump casing, impeller strainer, cover, casing cover and motor casing in AISI 304
- Shaft in AISI 303
- Double lip seal with interposed oil chamber

DIMENSIONAL TABLE

Pump type	(mm)		
	H	H1	S
BEST ONE	260	220	10
BEST ONE VOX	285	245	20



PERFORMANCE CURVES (according to ISO 9906 Annex A)



PERFORMANCE TABLE

Pump type		kW	Capacitor		Abs. Current (A)		l/min m³/h	Q=Capacity					
Single-phase 230V	Three-phase 400V		µF	Vc	Single-phase	Three-phase		20	40	80	120	160	170
BEST ONE M	BEST ONE	0,25			2,2	1,1		8,3	7,8	6,3	4,5	2,4	1,8
BEST ONE VOX M	BEST ONE VOX	0,25	8	450	2,0	1,0		6	5,6	4,8	3,5	2	1,5

Submersible sump pump made of stainless steel AISI 304, double mechanical seals ensure long life and reliability. Suitable for draining wells, plant room sump, lift shaft emptying, pools, sumps, irrigation, and water displays. Options include with - without float switch. Solids handling up to 10 mm



SPECIFICATIONS

- Maximum liquid temperature:
35°C according EN 60335-2-41 for domestic uses
50°C for other uses
- Maximum immersion: 10 m
- Maximum passage of solids: 10 mm

MATERIALS

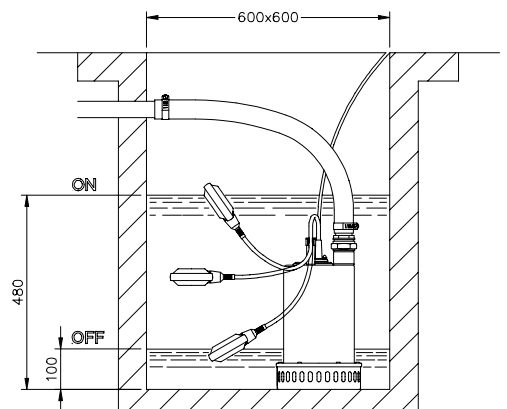
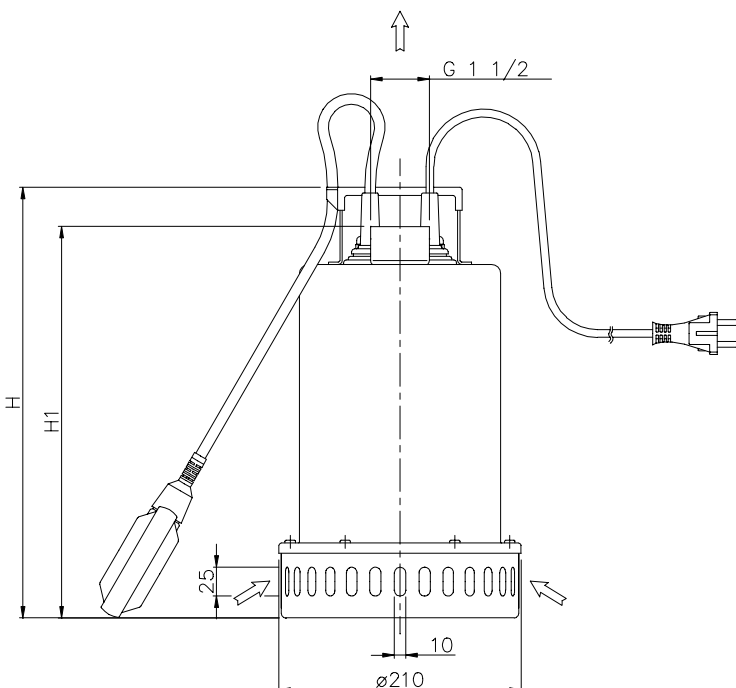
- Pump casing, impeller, strainer, cover, casing cover and motor casing in AISI 304
- Shaft in AISI 303
- Double mechanical seal with interposed oil chamber upper in carbon-ceramic/NBR - lower in SiC/SiC/NBR

TECHNICAL DATA

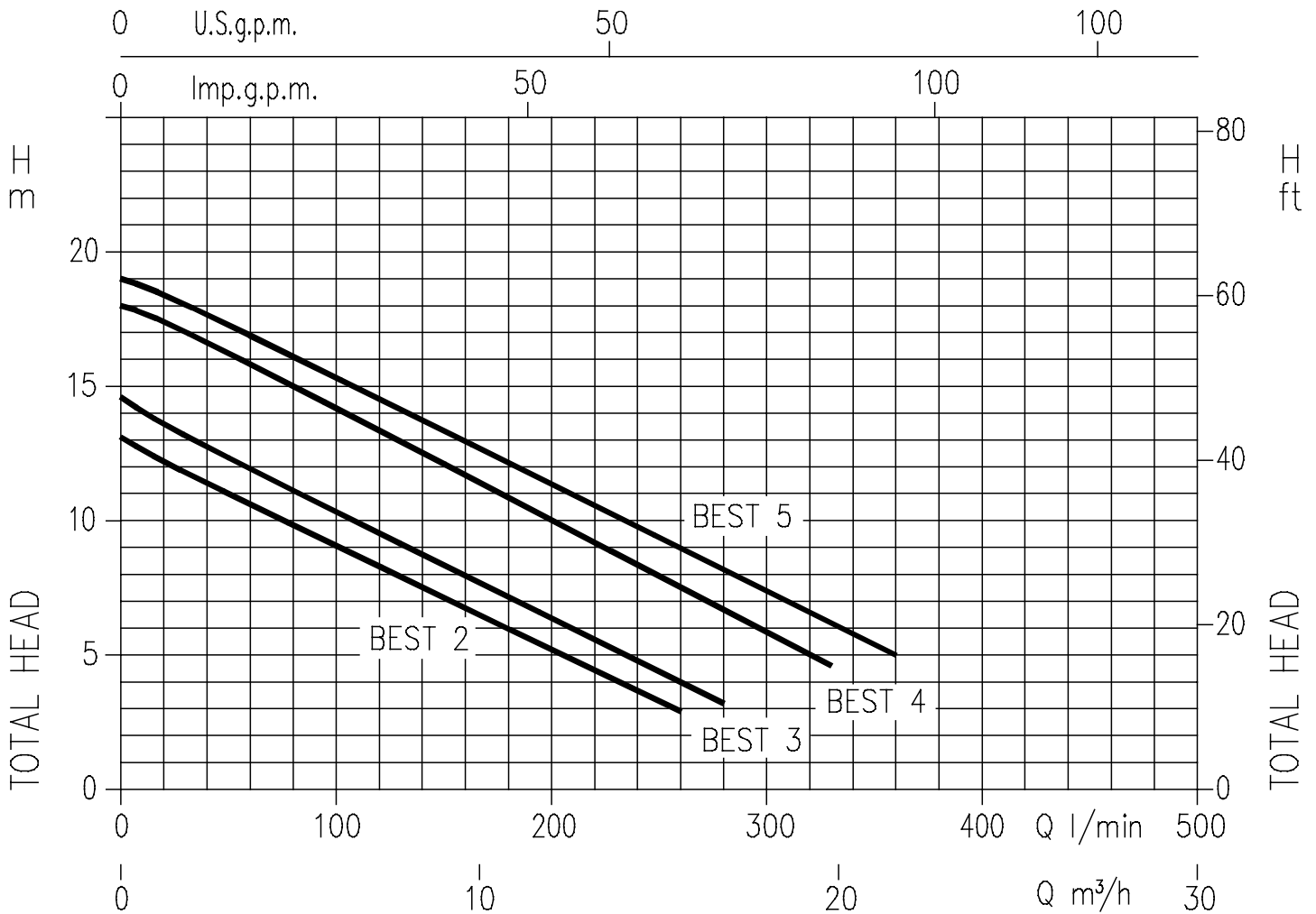
- Asynchronous 2 poles motor
- Insulation class F
- Protection degree IP68
- 1~230V ± 10%, 50Hz - 3~400V ± 10%, 50Hz
- Permanent split capacitor and automatic thermal overload protection for single-phase version
- Thermal protection to be provided by the user for three-phase version
- DNM 1 1/2

DIMENSIONAL TABLE

Pump type	(mm)		Weight kg
	H	H1	
BEST 2	352	315	12
BEST 3	352	315	12,7
BEST 4	377	340	138
BEST 5	377	340	13,5



PERFORMANCE CURVES (according to ISO 9906 Annex A)



PERFORMANCE TABLE

Pump type		kW	Capacitor		Absorbed Current (A)		l/min m³/h	Q=Capacity							
Single-phase 230V 50Hz	Three-phase 400V 50Hz		µF	V _c	1~	3~		20	80	120	170	260	280	330	360
BEST 2 M	BEST 2	0,55	16	450	4,4	2,0	12,2	9,8	8,3	6,3	2,9	-	-	-	
BEST 3 M	BEST 3	0,75	20	450	5,6	2,4	13,6	11,1	9,5	7,6	4	3,2	-	-	
BEST 4 M	BEST 4	1,1	31,5	450	7,3	3,0	17,4	15	13,4	11,3	7,5	6,7	4,6	-	
-	BEST 5	1,5	-	-	-	3,3	18,4	16,1	14,5	12,5	9	8	6	5	